

RICARDO Engine HRC20/S



- Engine: Ricardo 4100D
- Cooling Fan with fan guard and front guard
- Alternator: Single bearing, IP23, H class
- 1*12V Start Battery with connection cable
- Equipped with Shock Absorber
- Dry Air Filter, Dual Fuel Filter, Engine Oil Filter Coolant Filter
- Standard Control Panel, Circuit Breaker
- Storage Battery and battery line, Exhaust pipe
- Corrugated pipe for anti-vibration, Cone Tube, Flange, Muffler
- ATS (automatic transfer switch) receptacle
- Soundproof Enclosure/Canopy for optional
- Base fuel tank for at least 8hours running
- Equipped with an industrial muffler
- Engine oil pump
- Drainage for fuel tank
- Documents

Generator model.....	HRC20S
Rated Power.....	16KW/20KVA
Standby Power.....	17KW/22KVA
Voltage.....	400/230V
Frequency.....	50/60Hz
Speed.....	1500rpm
Type.....	3 cylinders
Engine Model.....	4100D
Alternator.....	Stamford Chinese 184F
Control System.....	GU614B
Circuit Breaker.....	Standard
ATS (automatic transfer switch).....	Optional
Silent Level.....	75dB at 7m
Fuel Tank Capacity.....	8-12 hours fuel tank
Fuel Consumption.....	≤0.238kgm/kw/h

* Voltage Available:
50Hz: 380-400-415V/220-230-240V;
60Hz: 220-380-416-440-480V/110-208-220-240V
Any special voltage is also available as client's request

*Prime Power: Prime power is available for an unlimited number of annual hours in variable load Application, in accordance with GB/T2820-97 (eqv ISO8528); A 10% overload capability is available for a period of 1 hour within a 12 hour period of operation.

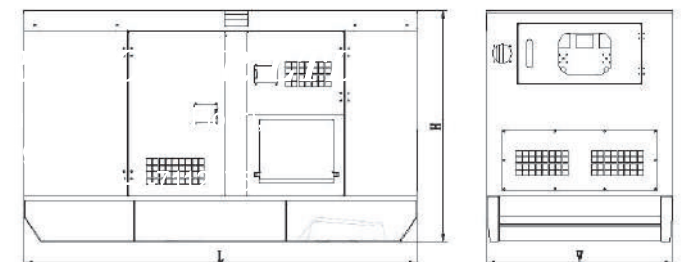
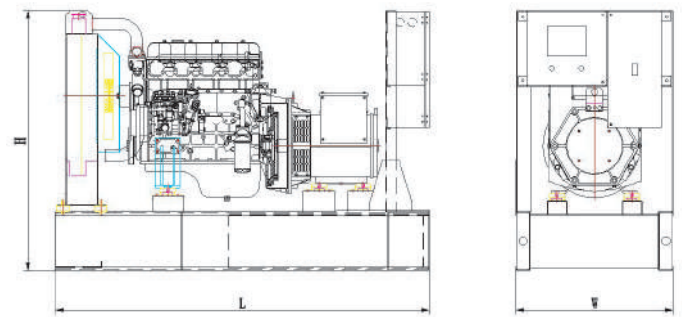
*Standby Power: The standby power rating is applicable for supply emergency power for the duration of a utility power interruption. No overload, utility parallel or negotiated outage Operation capability is available at the rating.

Dimensions and Weights

Genset model	Length (L)	Width (W)	Height(H)	Weight
HRC20/S	1700mm	900mm	1200mm	740kg
HRC20	1460mm	630mm	1030mm	610kg

Notice:the size and weight is just for reference, if you

Want to confirm it, please kindly confirm it with salesman,thanks.



GALAXY ELECTRO POWER LTD.

219-220 Nawabpur Road, Gausia Plaza (2nd Floor),
Dhaka-1100, Bangladesh.

Tel: 880-2-7115943, 7120406, Fax: 880-2-7112675,

E-mail:galaxy@bol-online.com, Web: www.galaxyelectropower.com