

Ricardo

DK165



- Engine: British Ricardo Technology R6105ZLD
- Cooling Fan with fan guard and front guard
- Alternator: Single bearing, IP23, H class
- 2*12V Start Battery with connection cable
- Equipped with Shock Absorber
- Dry Air Filter, Dual Fuel Filter, Engine Oil Filter Coolant Filter
- Standard Control Panel, Circuit Breaker
- Storage Battery and battery line, Exhaust pipe
- Corrugated pipe for anti-vibration, Cone Tube, Flange, Muffler
- ATS (automatic transfer switch) receptacle
- Soundproof Enclosure/Canopy for optional
- Base fuel tank for at least 8hours running
- Equipped with an industrial muffler
- Engine oil pump
- Drainage for fuel tank
- Documents

Generator model.....	DK165S
Standby Power.....	132KW/165KVA
Rated Power.....	120KW/150KVA
Voltage.....	230/400V
Frequency.....	50/60Hz
Speed.....	1500rpm
Type.....	.4 cylinders
Engine Model.....	.R6105ZLD
Alternator.....	274F
Control System.....	Smartgen HGM6120
Circuit Breaker.....	Standard
ATS (automatic transfer switch).....	Optional
Silent Level.....	75dB at 7m
Fuel Tank Capacity.....	8-12 hours fuel tank
Fuel Consumption.....	≤0.244gr/kw/h

* Voltage Available:
 50Hz: 380-400-415V/220-230-240V;
 60Hz: 220-380-416-440-480V/110-208-220-240V
 Any special voltage is also available as client's request

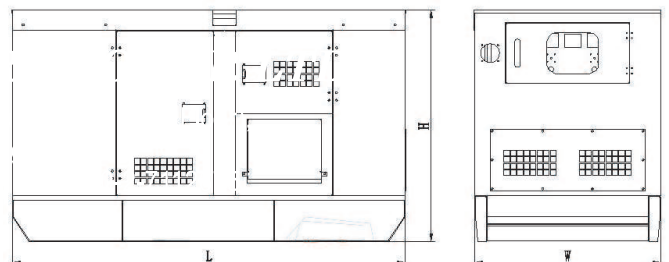
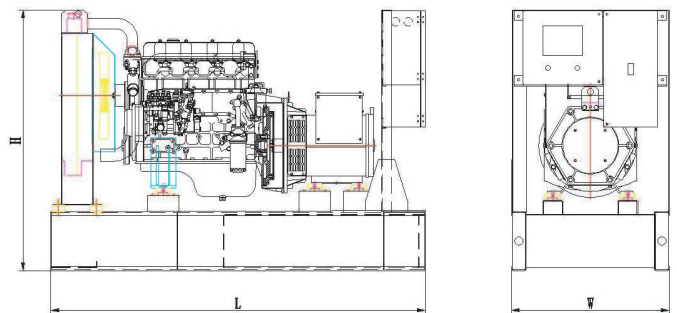
*Prime Power: Prime power is available for an unlimited number of annual hours in variable load Application, in accordance with GB/T2820-97 (eqv ISO8528); A 10% overload capability is available for a period of 1 hour within a 12 hour period of operation.

*Standby Power: The standby power rating is applicable for supply emergency power for the duration of a utility power interruption. No overload, utility parallel or negotiated outage Operation capability is available at the rating.

Dimensions and Weights

Genset model	Length (L)	Width (W)	Height(H)	Weight
DK165 (canopy)	2950mm	1100mm	1450mm	1235kg

Notice:the size and weight is just for reference, if you



GALAXY ELECTRO POWER LTD.

219-220 Nawabpur Road, Gausia Plaza (2nd Floor),
 Dhaka-1100, Bangladesh.

Tel: 880-2-7115943, 7120406, Fax: 880-2-7112675,

E-mail:galaxy@bol-online.com, Web: www.galaxyelectropower.com