

Ricardo Engine

DK50



- Engine: British Ricardo Technology 4105ZD
- Cooling Fan with fan guard and front guard
- Alternator: Single bearing, IP23, H class
- 2*12V Start Battery with connection cable
- Equipped with Shock Absorber
- Dry Air Filter, Dual Fuel Filter, Engine Oil Filter Coolant Filter
- Standard Control Panel, Circuit Breaker
- Storage Battery and battery line, Exhaust pipe
- Corrugated pipe for anti-vibration, Cone Tube, Flange, Muffler
- ATS (automatic transfer switch) receptacle
- Soundproof Enclosure/Canopy for optional
- Base fuel tank for at least 8hours running
- Equipped with an industrial muffler
- Engine oil pump
- Drainage for fuel tank
- Documents

Generator model.....	DK50S
Rated Power.....	40KW/50KVA
Standby Power.....	44KW/55KVA
Voltage.....	230/400V
Frequency.....	50/60Hz
Speed.....	1500rpm
Type.....	4 cylinders
Engine Model.....	4105ZD
Alternator.....	SZN224D
Control System.....	Datakom DKG309
Circuit Breaker.....	Standard
ATS (automatic transfer switch).....	Optional
Silent Level.....	75dB at 7m
Fuel Tank Capacity.....	8-12 hours fuel tank
Fuel Consumption.....	≤0.238kgm/kw/h

* Voltage Available:
 50Hz: 380-400-415V/220-230-240V;
 60Hz: 220-380-416-440-480V/110-208-220-240V
 Any special voltage is also available as client's request

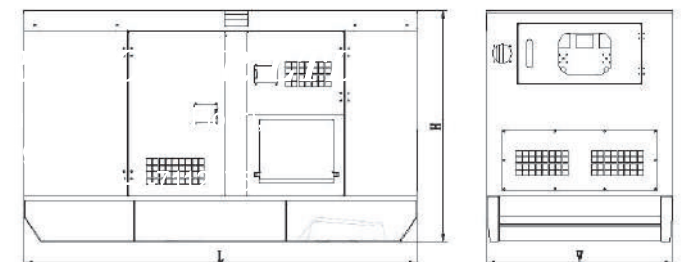
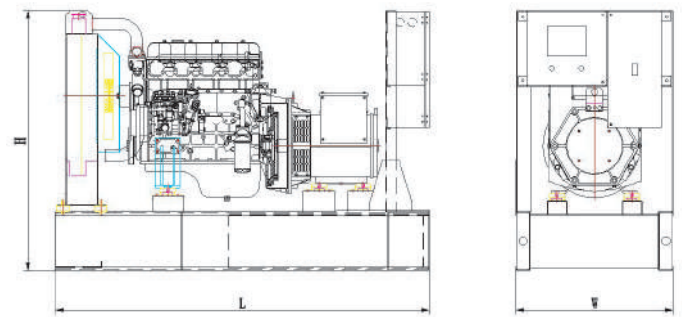
*Prime Power: Prime power is available for an unlimited number of annual hours in variable load Application, in accordance with GB/T2820-97 (eqv ISO8528); A 10% overload capability is available for a period of 1 hour within a 12 hour period of operation.

*Standby Power: The standby power rating is applicable for supply emergency power for the duration of a utility power interruption. No overload, utility parallel or negotiated outage Operation capability is available at the rating.

Dimensions and Weights

Genset model	Length (L)	Width (W)	Height(H)	Weight
DK50 (canopy)	2250mm	975mm	1300mm	1035kg
DK50 (Open)	2100mm	860mm	1160mm	950kg

Notice:the size and weight is just for reference, if you



GALAXY ELECTRO POWER LTD.

219-220 Nawabpur Road, Gausia Plaza (2nd Floor),
 Dhaka-1100, Bangladesh.

Tel: 880-2-7115943, 7120406, Fax: 880-2-7112675,

E-mail:galaxy@bol-online.com, Web: www.galaxyelectropower.com